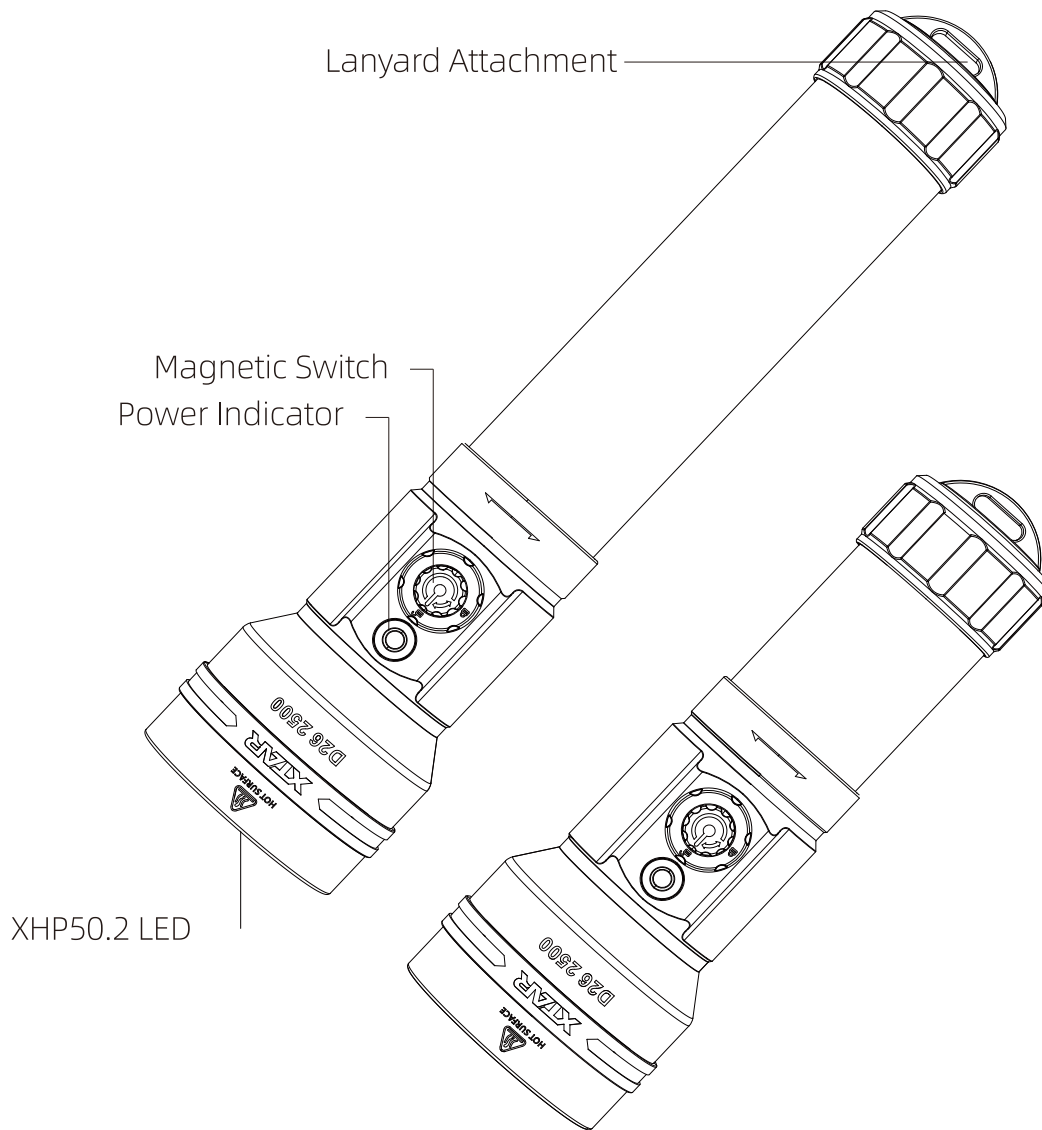


# XTAR<sup>®</sup>

## D26 2500 LED Dive Light



## Introduction

D26 2500 has a maximum output of 2500 Lumens. It also has power indication function, and is an one-hand operated flashlight specially designed for leisure diving. Currently D26 2500 has launched types of long and short battery compartments, catering for needs of all users.

## Specification (for long type)

ANSI	Illumination Levels			
	Turbo	High	Mid	Low
Brightness	2500lm	1400lm	700lm	30lm
Runtime	2.2hrs	4.5hrs	9hrs	72hrs
Power Source	2*18650 or 2*26650 Li-ion batteries			
Beam Throw	320m			
Max. Intensity	25360cd			
Drop Test	1.5m			
Waterproof Ratings	IPX8 (underwater 100m)			
Size	Φ54mm(H)×Φ36.5mm(B)×236.6mm(L)			
Net Weight	445g (without batteries)			

## Specification (for short type)

ANSI	Illumination Levels			
	Turbo	High	Mid	Low
Brightness	2500lm	1400lm	700lm	30lm
Runtime	1.66hrs	2.5hrs	4.2hrs	32hrs
Power Source	1*18650 or 1*26650 Li-ion battery			
Beam Throw	320m			
Max. Intensity	25360cd			
Drop Test	1.5m			
Waterproof Ratings	IPX8 (underwater 100m)			
Size	Φ54mm(H)×Φ36.5mm(B)×165.6mm(L)			
Net Weight	336g (without batteries)			

### Note:

1. Above-mentioned runtime (tested by XTAR 26650 Li-ion batteries in the case of 25°C water-cooling) are approximate and may differ depending on battery and environment.
2. Working voltage: 3.0-8.4V.
3. Please use 18650 batteries with the standard battery sleeve.
4. XTAR 26650 5200mAh batteries are recommended. Since the flashlight's discharge current is large, and different batteries have different parameters (protection board limits current), which would probably make the battery protected and the flashlight cannot be lightened, the flashlight suddenly turns off, or the battery indicator goes wrong, etc.

# Operation

## 1. Install battery

Unscrew tail cap, and install the battery with positive pole (+) towards head.

## 2.Regulate brightness

A single press of the switch turns on the light. Keep pressing the switch, mode can be shifted. Mode cycle is “Turbo-High-Mid-Low” .  
Hold the press to turn off the flashlight.

## 3.Lock/unlock Function

Turn switch left about 90° (pointer on the switch pointed at the lock logo)

## 4. Power indicator

When the battery power is more than 25%, green light remains on.  
When the power is about 5%-25%, red light remains on;  
When the power is less than 5%, red light blinks to remind you to change battery ASAP, otherwise the battery will be over-discharged.

# After-sale

## Please provide warranty number to dealer to get after-sales service.

- 15 days free replacement.
- 24 months free repair. If problems develop beyond 24 months, we will offer free repair service but charge for parts used. The distributor will inform you material fee or related freight if any before repair.
- Lifetime technical support.

### Note:

- 1.Damage caused by misuse or intentional force is not covered by the warranty.
- 2.You are recommended to store warranty info online: register and login [www.xtar.cc](http://www.xtar.cc) - Member Center - Warranty Information.
- 3.Warranty number (9-11 digits) can be found on the package or product.

**Global Aftales Email: [service@xtar.cc](mailto:service@xtar.cc)**

## Tips

1. Please make sure positive pole (+) towards the head. If using 18650 batteries, please make sure that the supporting battery sleeve is also used.
2. Turbo mode is designed for diving, please do not use this mode out of water for quite a time in case the surface temperature of flashlight is too high which may damage the flashlight.
3. Power indicator and brightness might vary depending on quality of batteries.
4. Do not wipe the battery with strong corrosive substance.
5. Flashlight fails to operate.

Possible Reasons	Solutions
Battery is exhausted or not compatible	Change battery
Battery is installed incorrectly	Make sure positive pole toward the head
Poor contact	1. Clean the contact surface of battery with alcohol 2. Tighten the head or tail cap

6. For more and updated information, please visit [www.xtar.cc](http://www.xtar.cc)

## Anti-fake inquiry

- 1.Scratch the anti-counterfeiting label on the package to get 18-digit number.
- 2.Input the number into the query page on [www.xtar.cc](http://www.xtar.cc) (Contact Us - Anti-fake).



**Warning: Do not direct the light towards the eyes. Serious injury or blindness may occur by misuse.**

# XTAR<sup>®</sup>

**Shenzhen XTAR Electronics Co., Ltd**

Address: 5th Floor, No.77 Xinhe Rd, Shangmugu, Pinghu Area,  
Longgang District, Shenzhen , Guangdong, China

Zip Code: 518111 Website: [www.xtar.cc](http://www.xtar.cc)

Email: [info@xtar.cc](mailto:info@xtar.cc) Tel: +86-755-25507076

Fax: +86-755-25507076

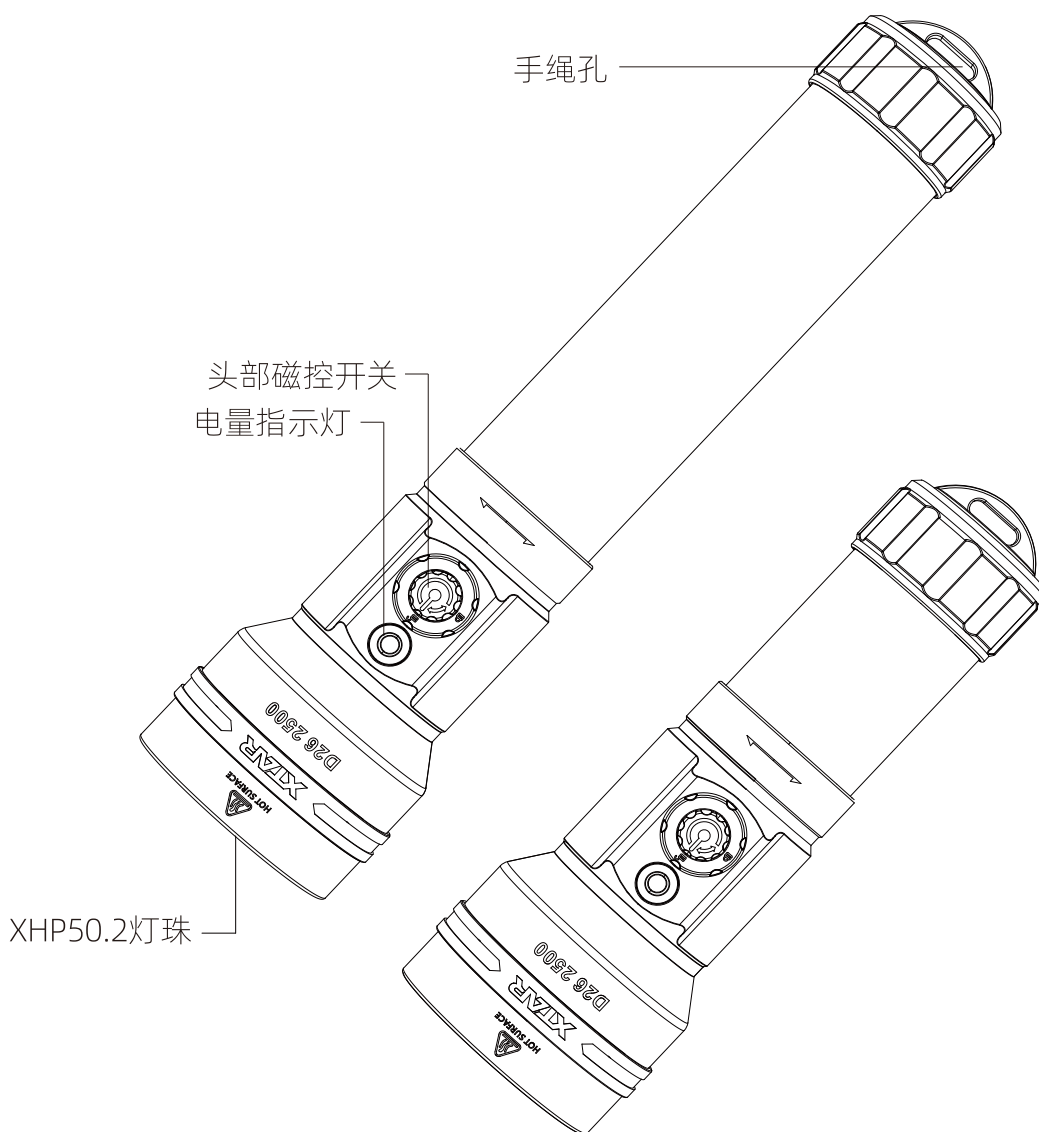


Facebook

# XTAR<sup>®</sup>

## D26 2500

### LED潜水手电筒





## 简介

D26 2500手电最大输出可达2500流明，且带有电量指示灯功能，是一款可单手操作的专为休闲潜水而生的潜水手电筒。目前，这款手电推出了长筒身款和短筒身款，以迎合不同用户的使用需求。

## 技术参数（长筒身款）

ANSI	照明模式			
	极亮档	高亮档	中亮档	低亮
亮度	2500流明	1400流明	700流明	30流明
续航时间	2.2hrs	4.5hrs	9hrs	72hrs
使用电池	2*18650或2*26650锂电池			
最大射程	320m			
最大光强	25360cd			
防跌落高度	1.5m			
防水等级	IPX8（水下100米）			
尺寸	Φ54mm(头部直径)×Φ36.5mm(筒身直径)×236.6mm(长度)			
净重	445g（不含电池）			

## 技术参数（短筒身款）

ANSI	照明模式			
	极亮档	高亮档	中亮档	低亮
亮度	2500流明	1400流明	700流明	30流明
续航时间	1.66hrs	2.5hrs	4.2hrs	32hrs
使用电池	1*18650或1*26650锂电池			
最大射程	320m			
最大光强	25360cd			
防跌落高度	1.5m			
防水等级	IPX8（水下100米）			
尺寸	Φ54mm(头部直径)×Φ36.5mm(筒身直径)×165.6mm(长度)			
净重	336g（不含电池）			

### 注意:

1. 上述续航时间（是由爱克斯达26650锂电池在水冷25°C的情况下测试得出）为近似值，可能会随着电池和使用环境而发生变化。
2. 工作电压: 3.0-8.4V
3. 使用18650锂电池时，请与标配的电池套筒搭配使用。
3. 建议使用爱克斯达26650 5200mAh电池，由于手电放电电流较大，不同电池参数不同（电池保护板限电流，电池放电平台）会导致电池保护无法点亮，电池保护突然熄灭或电量指示不准确等问题。

## 操作

### 1. 电池安装

拧开手电筒尾盖，将电池正极（+）朝头部安装。

### 2. 调节亮度

关机状态单击按键开机，开机状态下单击按键循环切换极亮-高亮-中亮-低亮，开机状态下长按按键关机。

### 3. 锁定/解锁功能

向左转动开关90度（开关上指示指向“lock”标志）

### 3. 电量指示灯

当电池电量高于25%左右时，绿色指示灯常亮；

电量为5%-25%左右时，红灯常亮；

低于5%左右时红灯闪烁，红灯闪烁时，请尽快更换电池，避免电池过放。

## 售后服务

请向经销商提供保修编号以获得售后服务。

- 15天免费换新。
- 2年内免费保修。若问题发生在2年之后，我们将提供免费维修服务，但收取所用零件的费用。经销商会在维修前通知您材料费或相关运费。
- 终身技术支持。

### 注意：

- 1.因用户使用、保管不当而产生的故障不享有免费包换和保修。
2. XTAR建议您注册网络版保修卡：  
登入[www.xtar.cn](http://www.xtar.cn)—注册—登入—会员中心—保修信息
3. 保修编号（9-11位）可在包装或产品上找到。

**售后服务邮箱：service@xtar.cc**

## 提示

1. 请确保正极 (+) 朝向头部。若放入18650电池，请确保使用手电配套的电池套筒。
2. 极亮模式专门设计用于潜水。请勿在岸上长时间使用该模式，以免手电表面温度过高，损坏手电。
3. 电池质量不同，电量指示和亮度可能会有所差异。
4. 请勿用强腐蚀性物质擦拭电池。
5. 手电筒不工作

可能原因	解决办法
电池电量耗尽或不兼容	更换电池
电池安装不当	确保正极朝向手电头部
接触不良	1.用酒精清洁电池的接触表面 2.拧紧手电筒头盖或尾盖

6. 了解更多更新的信息，请访问[www.xtar.cn](http://www.xtar.cn)

## 防伪查询

1. 刮开包装上的防伪标签，得到18位数字。
2. 将该号码输入www.xtar.cn上的查询页面（联系我们 - 防伪查询）。



**警告：请不要将手电直射眼睛，  
否则可能因误用而造成严重伤害或失明。**

# XTAR<sup>®</sup>

## 深圳市爱克斯达电子有限公司

地址：广东省深圳市龙岗区平湖街道上木古社区新河路77号5楼

邮编：518111 官网：[www.xtar.cc](http://www.xtar.cc)

邮箱：[info@xtar.cc](mailto:info@xtar.cc) 电话：(+86) 755-25507076

传真：(+86) 755-25507076



微信